

Large Dog House Plan

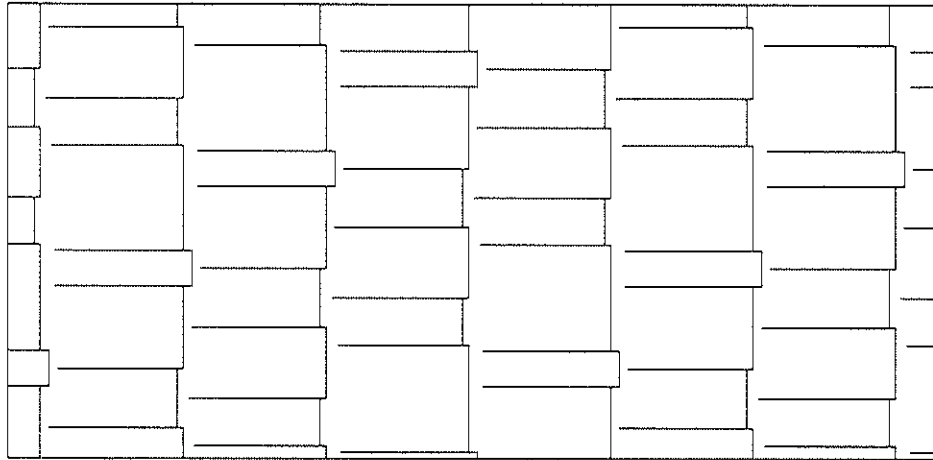
MARCH 2015 Revision



LARGE DOG HOUSE

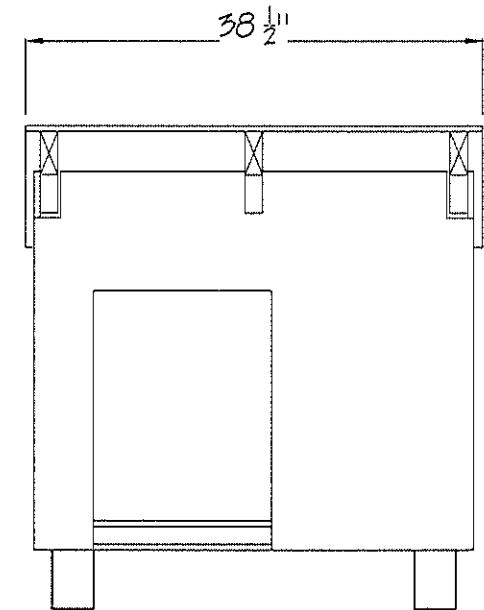
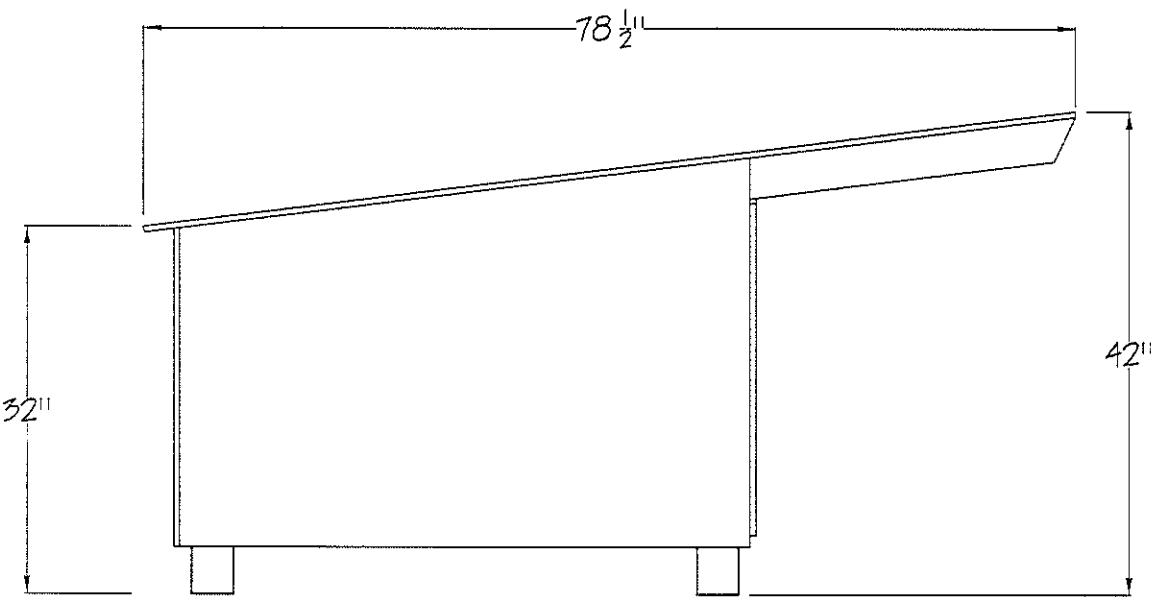
TABLE OF CONTENTS

GENERAL DIMENSIONS	- SHEET 1
MATERIALS LIST	- SHEET 2
PARTS LIST	- SHEET 3
EXPLODED ASSEMBLY	- SHEET 4
LAYOUT 1	- SHEET 5
LAYOUT 2	- SHEET 6
LAYOUT 3	- SHEET 7
SIDE PANEL ASSEMBLY	- SHEET 8
FRONT AND REAR PANELS	- SHEET 9
ROOF ASSEMBLY	- SHEET 10
FLOOR ASSEMBLY	- SHEET 11
COMPLETE ASSEMBLY	- SHEET 12



Large Dog House General Dimensions

(These dimensions are not intended for cutting parts)



Large Dog House - MATERIALS LIST

(3) - SHEETS OF $\frac{1}{2}$ " X 4' X 8' FIR EXTERIOR (CDX) PLYWOOD

(1) - 4" X 4" X 20" PRESSURE TREATED TREAT POST (20" FOR 1 DOG HOUSE)

(3) - 2" X 4" X 8' FIR STUDS

(2) - 2" X 2" X 8' FIRRING STRIPS

(1) - 4' X 4' X 8' 1- $\frac{1}{2}$ " RIGID FOAM BOARD INSULATION
(ONE SHEET IS ENOUGH FOR 2 LARGE DOG HOUSES)

(1) - ROLL ROOFING FELT CUT 39 $\frac{1}{2}$ " X 81" (ONE 41" X 100' ROLL ENOUGH FOR 14 LARGE DOG HOUSES)

(58) - 1- $\frac{5}{8}$ " FLATHEAD EXTERIOR WOOD SCREWS

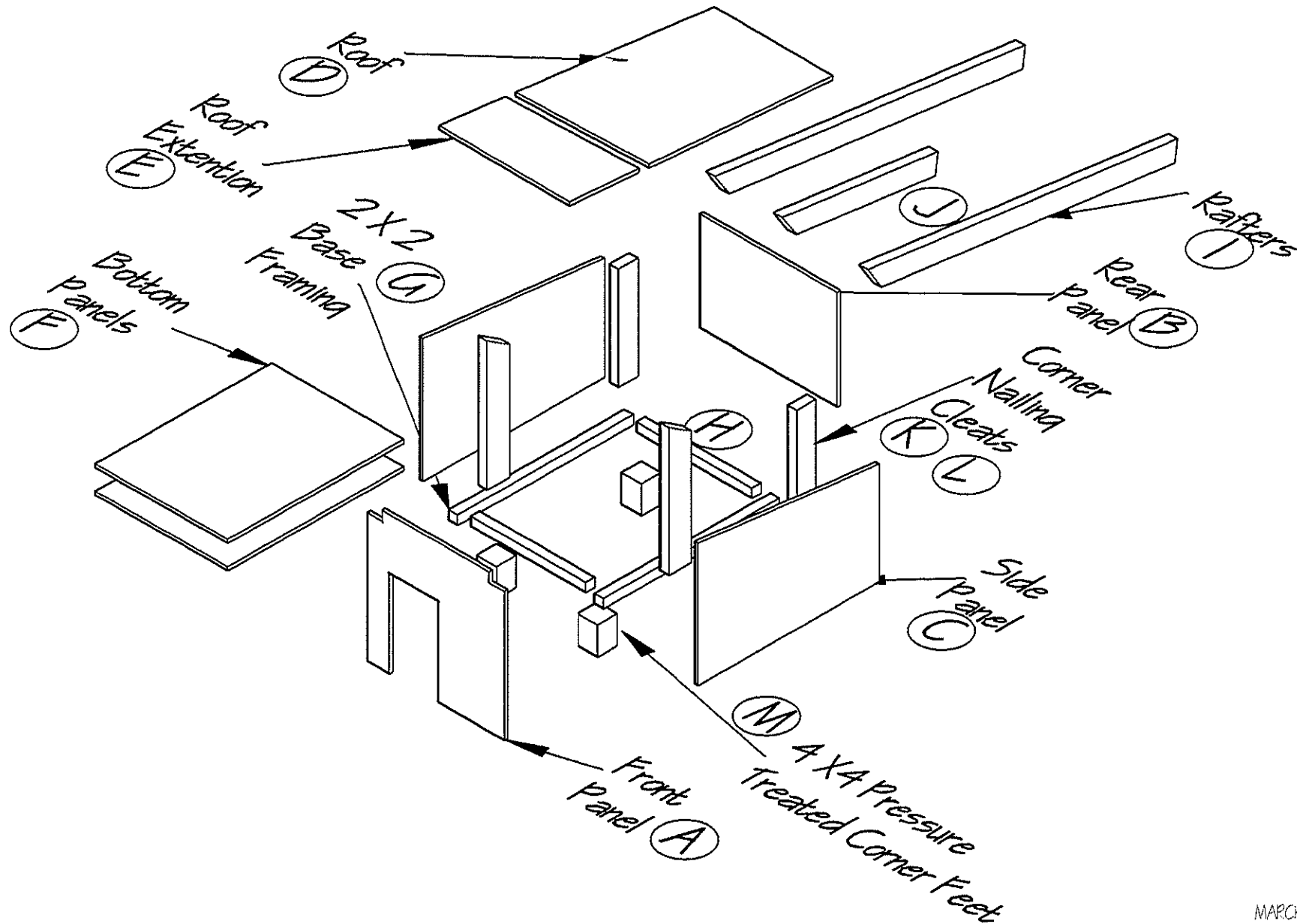
(12) - 3- $\frac{1}{2}$ " FLATHEAD EXTERIOR WOOD SCREWS

PARTS LIST- LARGE DOG HOUSE

#	QTY	T	W	L	MATERIAL	DESCRIPTION
(A)	1	1/2	37	33	FIR PLYWOOD	FRONT PANEL
(B)	1	1/2	37	27	FIR PLYWOOD	REAR PANEL
(C)	2	1/2	48	27-33	FIR PLYWOOD	RIGHT AND LEFT PANELS
(D)	1	1/2	38 1/2	67	FIR PLYWOOD	ROOF PANEL
(E)	1	1/2	12	38 1/2	FIR PLYWOOD	ROOF EXTENSION
(F)	2	1/2	36	48	FIR PLYWOOD	FLOOR TOP & BOTTOM
(G)	2	2	2	48	FIR RING STRIPS	FLOOR FRAME SIDES
(H)	2	2	2	33	FIR RING STRIPS	FLOOR FRAME FRONT & REAR
(I)	2	2	4	76	FIR STUDS	RAFTERS
(J)	1	2	4	26 1/2	FIR STUD	MIDDLE RAFTER
(K)	2	2	4	20	FIR STUD	REAR CORNER CLEATS
(L)	2	2	4	22	FIR STUD	FRONT CORNER CLEATS
(M)	1	4	4	20	PRESSURE TREATED 4 X 4	FRAME FEET (MAKES FOUR FEET 5" LONG)

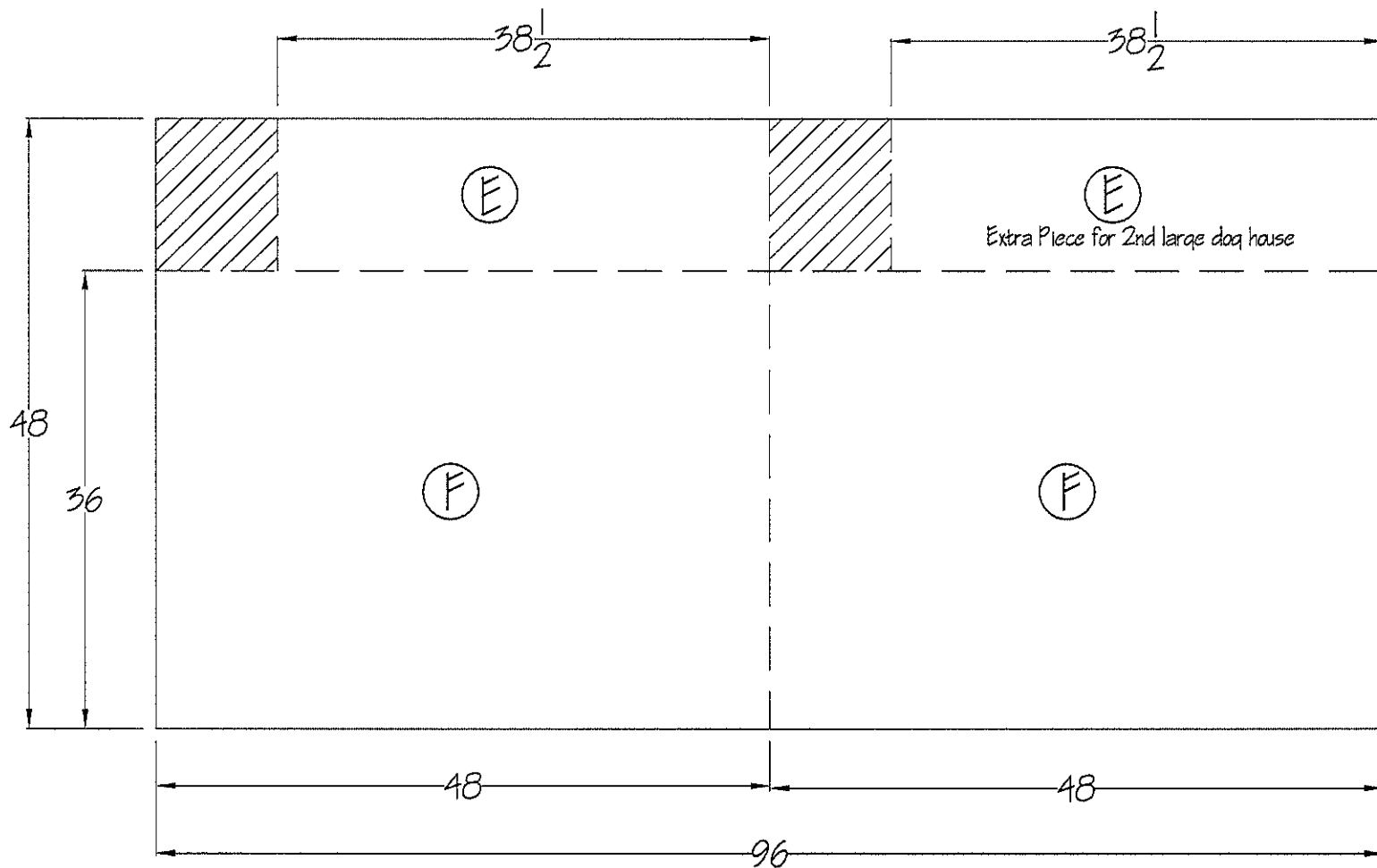
ALL MEASUREMENTS ARE IN INCHES

EXPLODED ASSEMBLY - LARGE DOG HOUSE



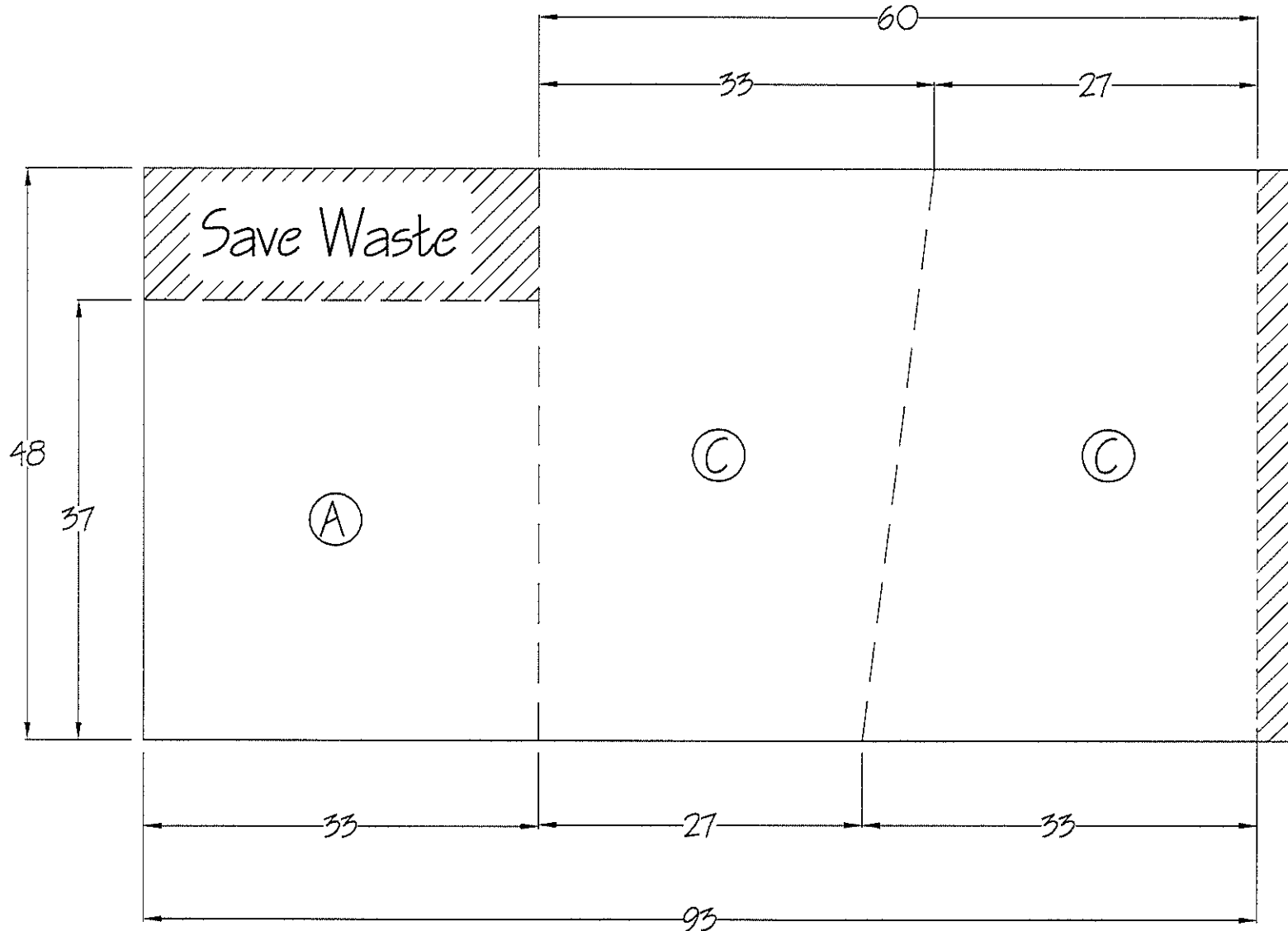
LARGE DOG HOUSE

Layout #1 for Cutting 4' X 8' X $\frac{1}{2}$ " Plywood



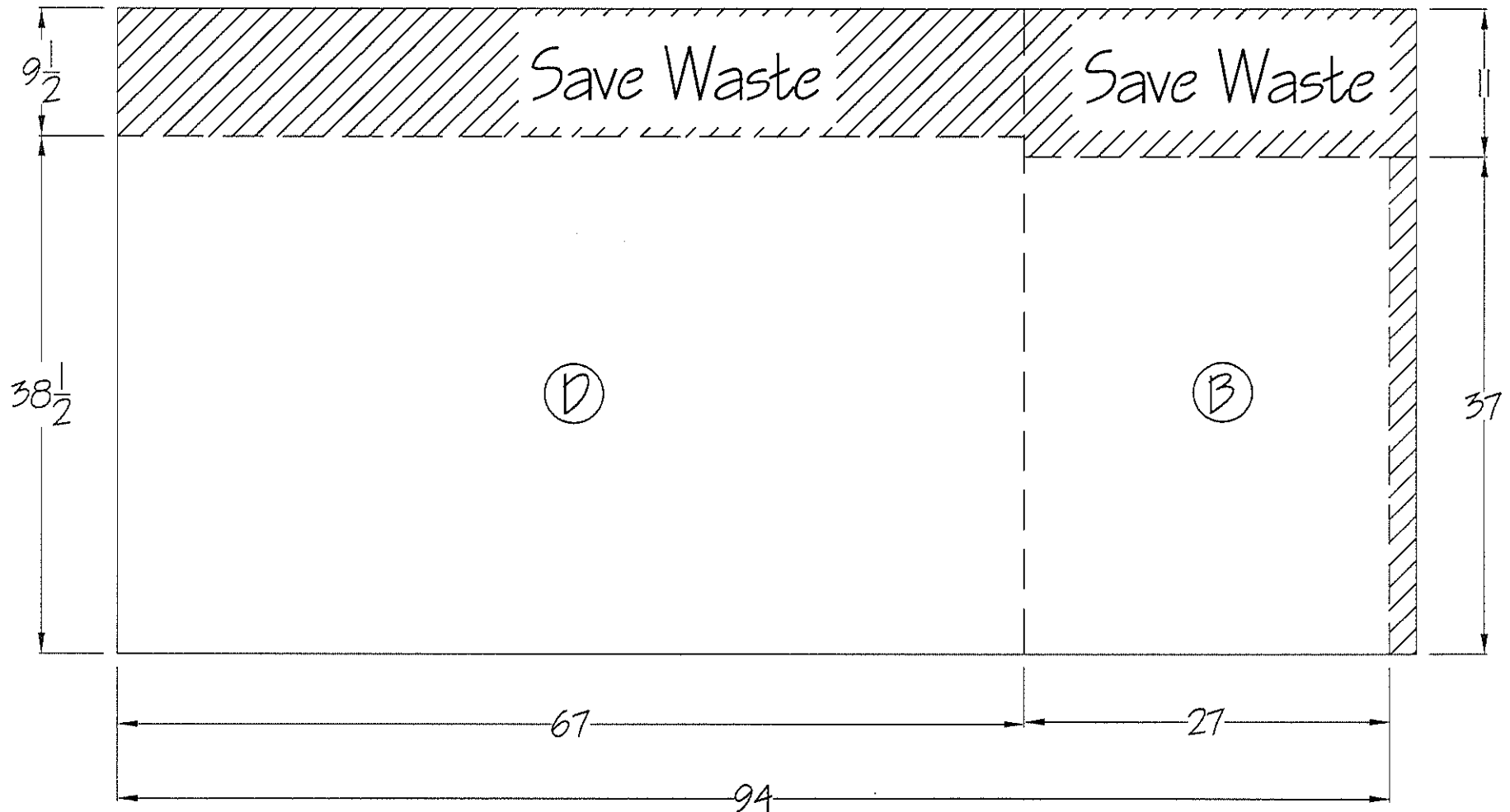
LARGE DOG HOUSE

Layout #2 for Cutting 4' X 8' X $\frac{1}{2}$ " Plywood



LARGE DOG HOUSE

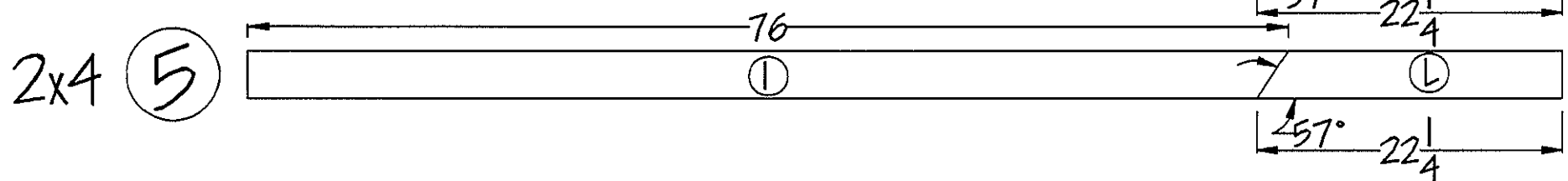
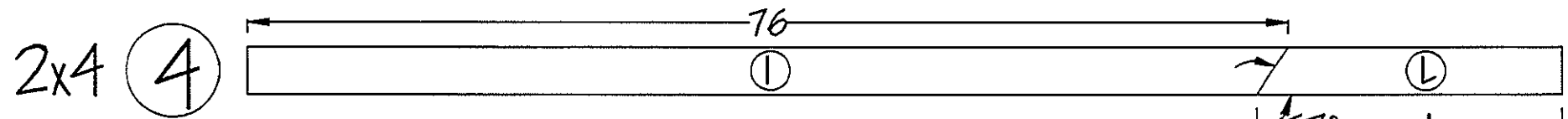
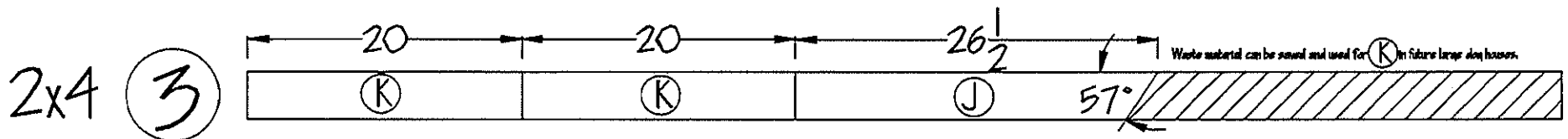
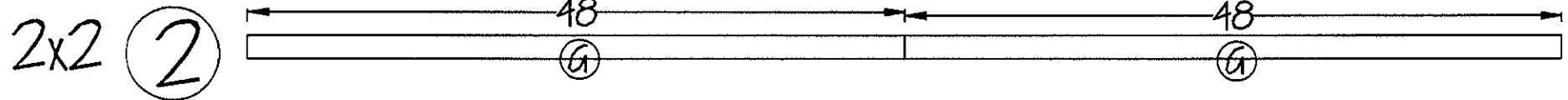
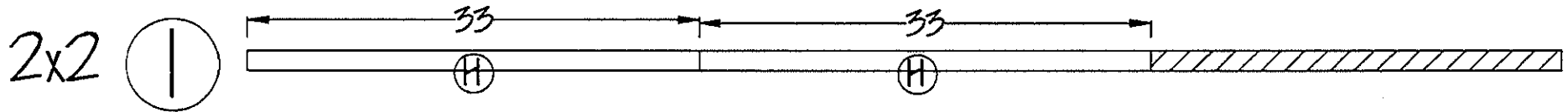
Layout #3 for Cutting 4' X 8' X $\frac{1}{2}$ " Plywood



LARGE DOG HOUSE

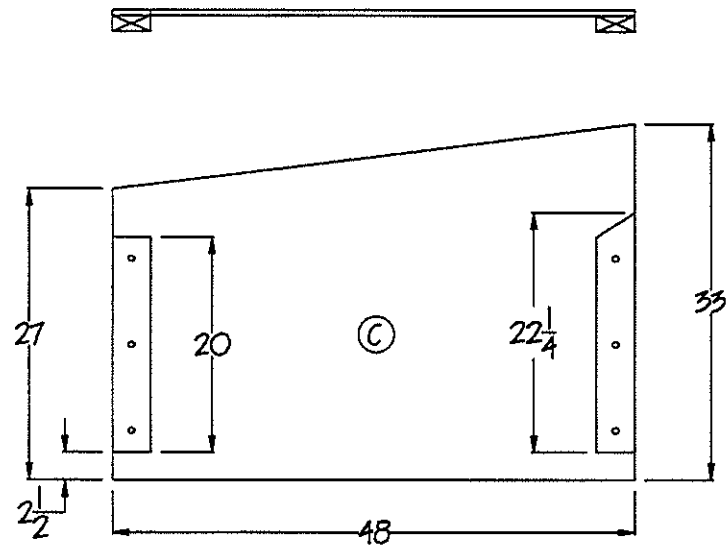
2" X 4" X 8' furring strips (2 pieces)

Layout #3 2" X 4" X 8' Studs (3 pieces)

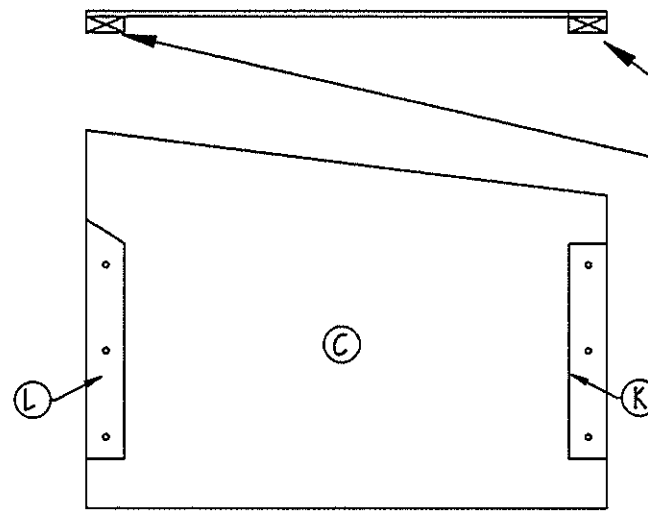


LARGE DOG HOUSE SIDE PANEL ASSEMBLY

All panels are made from 1/2" plywood

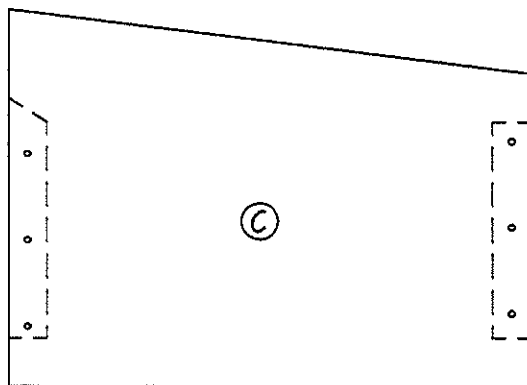


Left Panel (inside view)

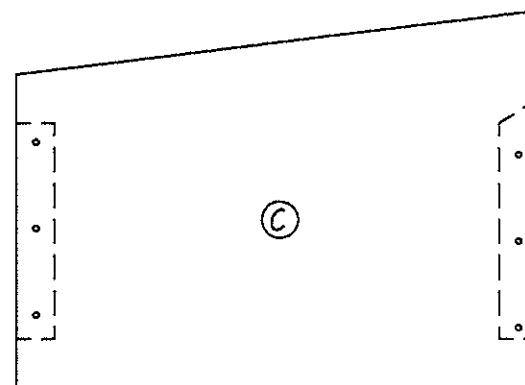


2 X 4 Corner Cleats
Three 1-5/8
screws per corner
cleat.

Right Panel (inside view)



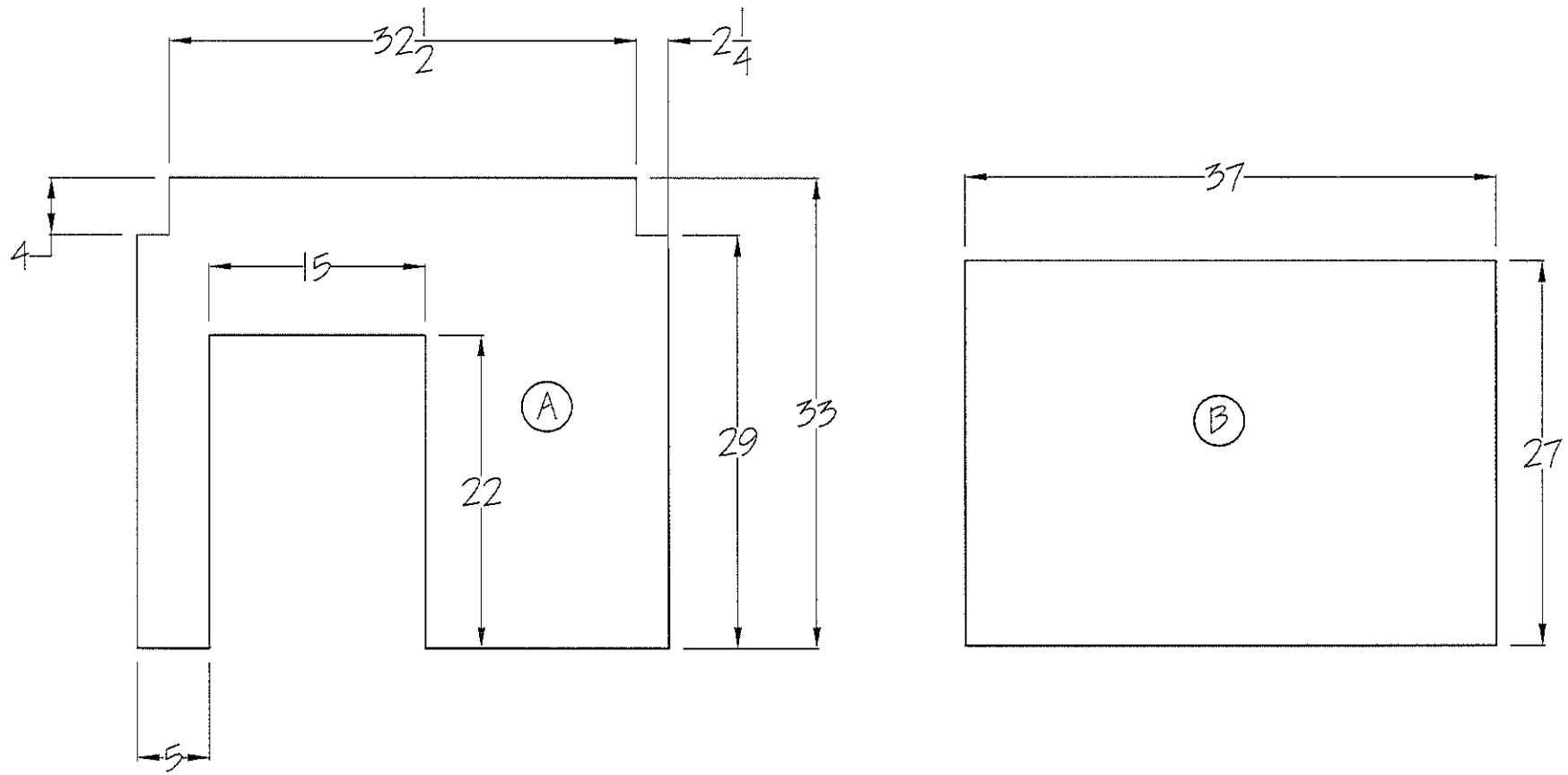
Left Panel (outside view)



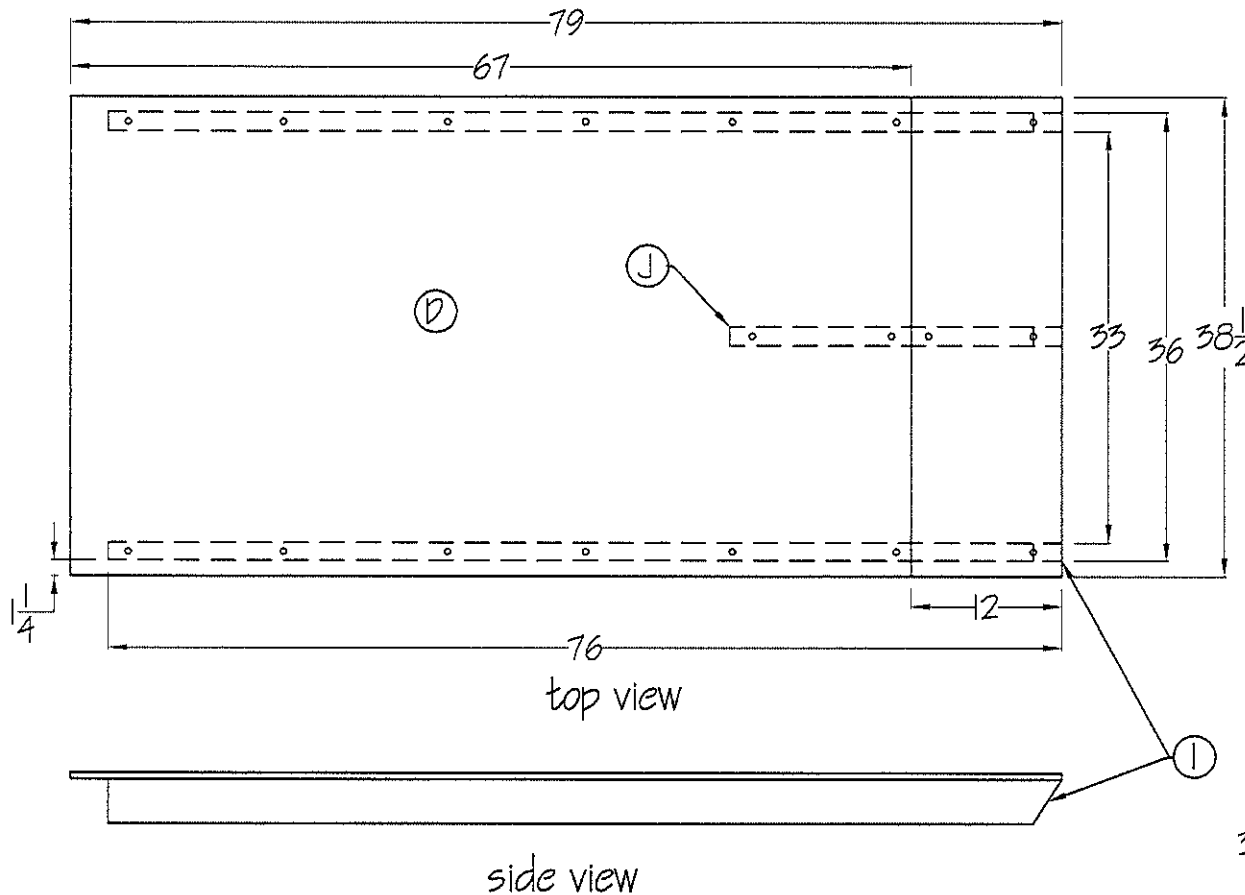
Right Panel (outside view)

LARGE DOG HOUSE FRONT AND REAR PANELS

All panels are made from 1/2" plywood



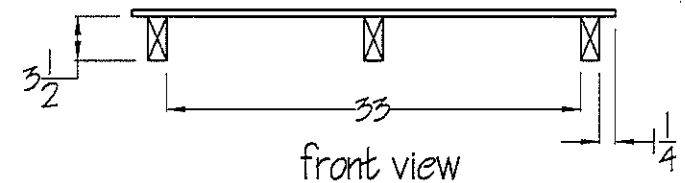
LARGE DOG HOUSE ROOF ASSEMBLY



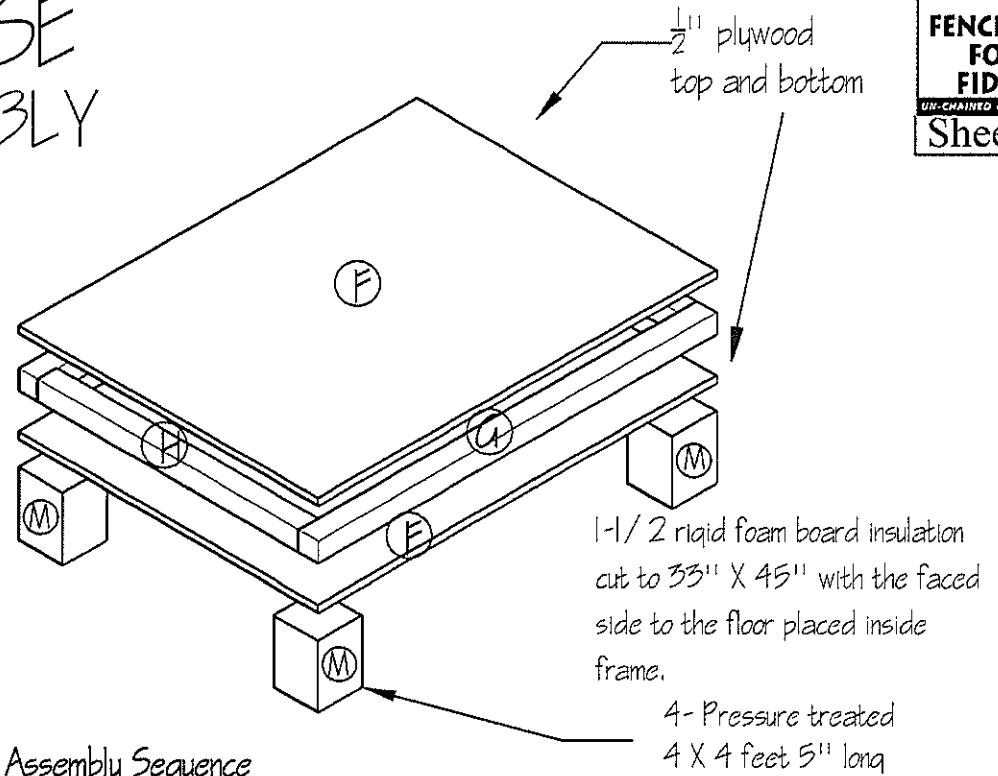
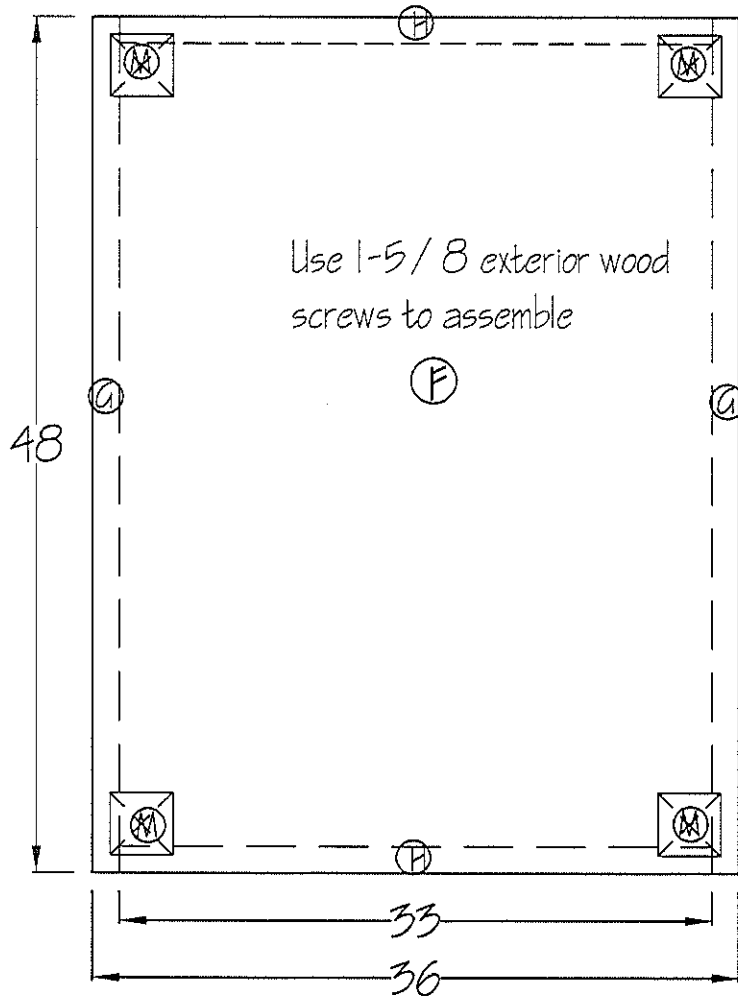
Roof Top With Rafters

Roof panel is attached to the rafters using (7) $1\frac{5}{8}$ screws on each long rafter and 4 on the center support.

Note: The roll roofing material will extend $\frac{1}{2}$ " past the edges of the sides and 1" on the front and the back.

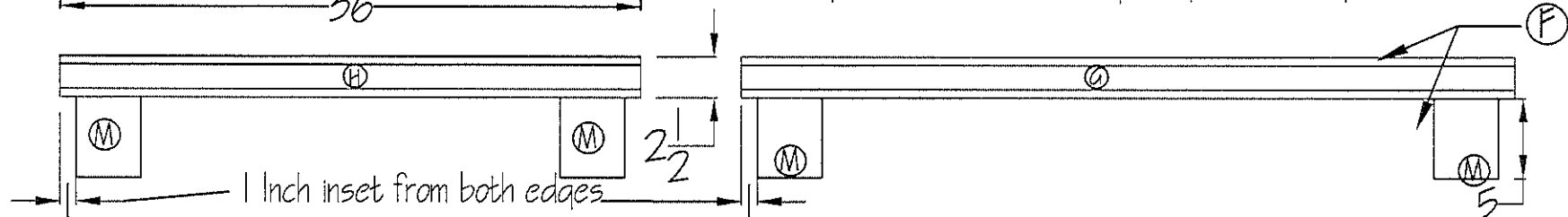


LARGE DOG HOUSE FLOOR FRAME ASSEMBLY

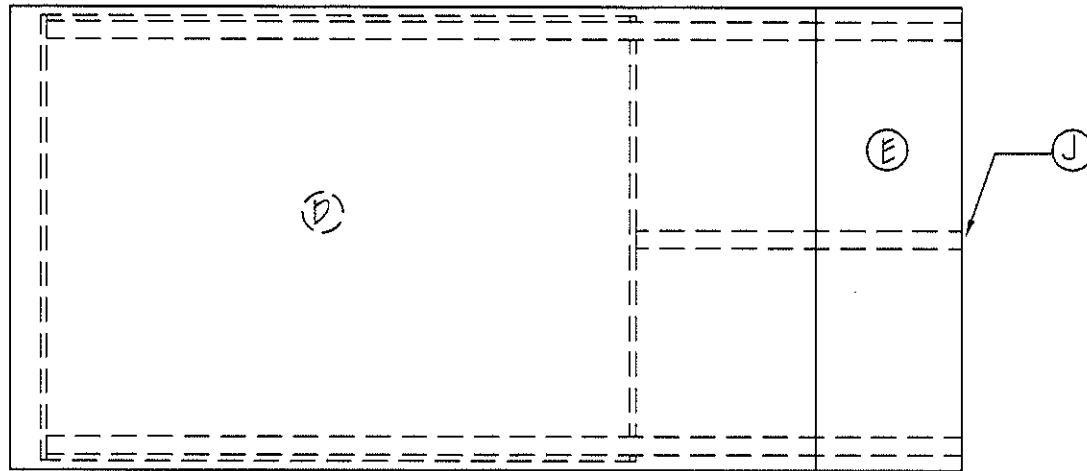


Assembly Sequence

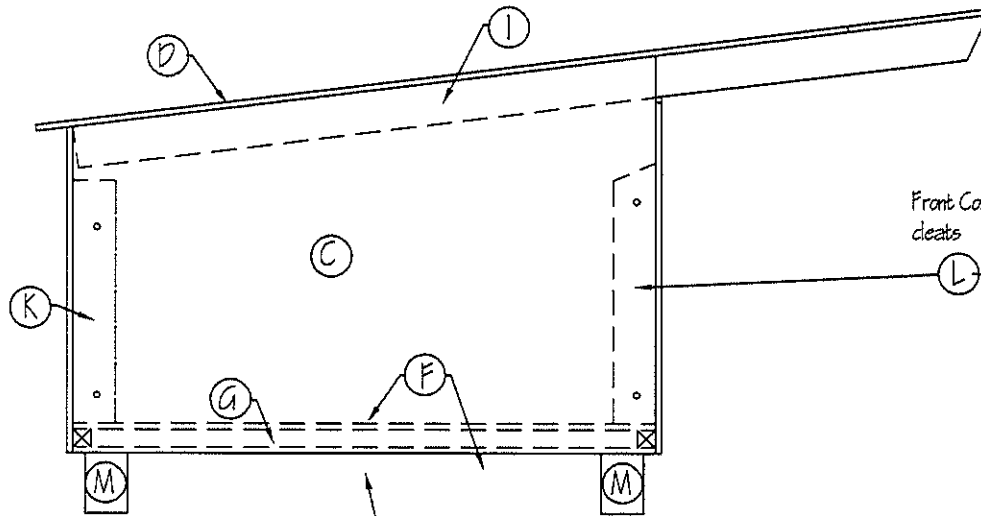
1. Attach the frame (parts G and H) to one piece of floor bottom (F) using 1 5/8" exterior screws,
- 2., Attach all 4 feet using 3 - 3 1/2" exterior screws per foot piece (M) to the partially assembled frame,
3. Install the insulation, placing it inside the frame,
- 4., attach the top piece (F) to the frame pieces (G and H), sealing in the insulation and completing the assembly,



LARGE DOG HOUSE - COMPLETE ASSEMBLY

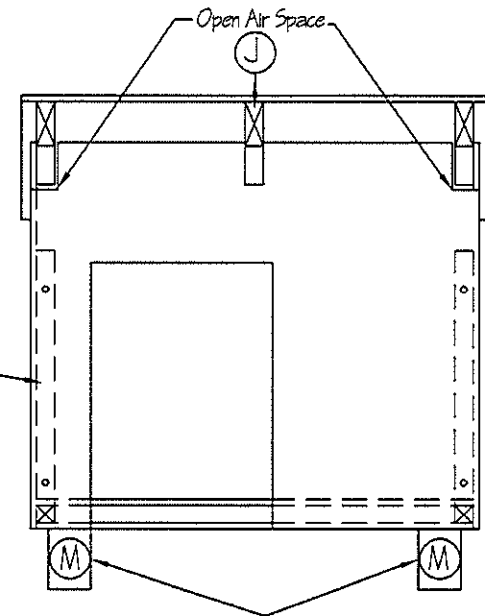


Top view



Side View

2 X 2 framed Base with 1/2" plywood top and bottom



Pressure treated 4 X 4 feet cut 5" long

Front view